

## Research

# Power Conversion System for Hybrid Battery-Capacitor Storage

*Conversión de Potencia para un Sistema de Almacenamiento Híbrido Batería-Capacitor*

**Carlos Andrés Ramos-Paja**<sup>1</sup>, **Sergio Ignacio Serna-Garcés**<sup>1,2\*</sup>, **Daniel González-Montoya**<sup>2</sup>

<sup>1</sup>Grupo GAUNAL, Facultad de Minas, Universidad Nacional de Colombia, Medellín, Colombia., <sup>2</sup>Grupo AE&CC, Departamento de Electrónica y Telecomunicaciones, Instituto Tecnológico Metropolitano, Medellín, Colombia.

\*Correspondence email: sergioserna@itm.edu.co

Received: 17-12-2019. Modified: 06-04-2020. Accepted: 27-04-2020

## Resumen

**Context:** Due to the low emissions of CO<sub>2</sub> generated by electric systems, those solutions have been receiving attention from industries and academia. However, the electrical storage systems required for a large amount of applications must have high energy and power densities.

**Method:** To meet those requirements, this paper proposes an active hybrid energy storage system formed by a battery, i.e. a device with a high energy density, and a capacitor, i.e. a device with a high power capability. The proposed solution also protects the battery by limiting the current derivative.

**Results:** Two sliding-mode controllers are designed to regulate both the battery current and the load voltage. The design process guarantees global stability and safe battery operation.

**Conclusions:** The controller avoids battery degradation caused by the high-frequency current components since the capacitor assumes those components as demanded by the load profile.

**Keywords:** Battery, Boost converter, Buck converter, capacitor, hybrid electric storage system, sliding-mode controller.

**Acknowledgements:** Universidad Nacional de Colombia sede Medellín, Instituto Tecnológico Metropolitano, Minciencias.

**Language:** English.

### Open access



Cite this paper as: C. Ramos-Paja, S. Serna-Garcés and D. González-Montoya: "Power Conversion System for Hybrid Battery-Capacitor Storage", Ingeniería, Vol. 25, Num. 2, pp. 194-211 (2020).

© The authors; reproduction right holder Universidad Distrital Francisco José de Caldas.

DOI: <https://doi.org/10.14483/23448393.15741>

## Resumen

**Contexto:** Gracias a las bajas emisiones de CO<sub>2</sub> de los sistemas eléctricos, estos han ganado mucha atención por parte de la industria y la academia. Sin embargo, los sistemas de almacenamiento de energía requeridos en un sin número de aplicaciones deben garantizar ser de alta densidad de energía y potencia.

**Método:** Para satisfacer estos requerimientos, este trabajo propone un controlador no-lineal para asegurar la estabilidad de un sistema de almacenamiento de energía híbrido activo, el cual es formado por una batería como dispositivo de alta densidad de energía y un capacitor como el dispositivo de alta densidad de potencia. Asimismo, la solución propuesta protege la batería a través de la limitación de la derivada de la corriente.

**Resultados:** Se diseñan dos controladores por modos deslizantes, uno para la corriente de la batería y otro para regular el voltaje en la carga. El proceso de diseño garantiza la estabilidad global del sistema y una operación segura de la batería.

**Conclusiones:** El controlador de corriente evita la degradación de la batería causada por los componentes de alta frecuencia de la corriente demandados por la carga. Estos componentes de alta frecuencia son asumidos por el capacitor.

**Palabras clave:** Batería, capacitor, controlador por modos deslizantes, convertidor Boost, convertidor Buck, sistema de almacenamiento híbrido.

**Agradecimientos:** Universidad Nacional de Colombia sede Medellín, Instituto Tecnológico Metropolitano, Minciencias.

**Idioma:** Inglés.

## 1. Introduction

Due to global warming, produced in part by fossil fuels [1], the development of alternative electrical systems has increased significantly, e.g. public transportation [2], [3]. One of the main challenges of such development is the power conversion of hybrid energy storage systems (HESS), i.e. systems formed by a battery and a capacitor (or supercapacitor) or a fuel cell. The main objective of a HESS is to reduce the high-frequency current transients reaching the battery to avoid accelerated aging [4] by extracting (or storing) the high-frequency components of the load current in a capacitor, so that the battery provides (or stores) the low-frequency components of the current.

Several research works have been conducted to deal with the power conversion system for HESSs. For example, [3], [4] present multiple topologies for HESSs (passive, semi-active and active); however, the control strategies of each DC/DC converter are not discussed. Another solution is presented in [5], wherein a composite energy storage system (CESS) is designed using an interleaved bidirectional Dual-Active-Birdie (DAB) converter. The control strategy of the DAB converter is based on a proportional current controller for both the battery and the ultracapacitor; hence, no global stability is ensured. In [6], a HESS formed by a battery and lithium-ion capacitor (LiC) is used to protect the battery from the damage caused by high-power rates during the charging and discharging of urban public transportation. However, this HESS has a low-complex current controller for the LiC that is not specified. Similarly, an active HESS for domestic applications is proposed in [7], consisting of a battery and a supercapacitor. Both devices have proportional-integral (PI)-type controllers, one for battery current control and another for the DC-bus voltage control, but the

linearisation required for the controller design prevents global stability proof. A similar approach is reported in [8], which proposes the use of a PI-type controller for a three-level bidirectional converter, which together with another unidirectional converter, manages the power of a HESS formed by a battery and a fuel-cell. Another approach is reported in [9], wherein a supercapacitor is used to store the energy generated by a manual mechanical system to charge a battery.

One particular approach for designing and controlling HESSs concerns the connection of power converters in parallel or series structures. For example, [10] presents a HESS for an electric vehicle that is formed by a battery and a capacitor interfaced by bidirectional boost converters. This approach provides a continuous current to the battery due to the series inductor but injects a discontinuous current to the DC bus, thus degrading the power quality (high ripple current components). This solution has two main problems: first, the load of the HESS is modelled using constant impedance, which is not accurate when modelling a DC bus; second, although the DC bus is regulated, no restriction is imposed on the battery current derivative, which could reduce the battery's lifetime [11], [12]. In addition, the converters are controlled with two sliding-mode controllers (SMCs) to ensure global stability, which is demonstrated independently for each converter. A similar approach is proposed in [13], wherein a capacitor and battery are used to form a HESS. Both devices are interfaced with bidirectional boost converters; hence, a high current ripple reaches the DC bus. The control systems for both converters are cascade structures of PI controllers, so global stability is not ensured. Moreover, no limitation of the battery current derivative is considered. Converters with continuous output currents can be used to provide low harmonic distortion to the DC bus, as in the case of the battery charger proposed in [14]. In that work, which does not present a HESS, a bidirectional buck converter is adopted to interface a generic ESS at the price of high current ripples to the battery, which reduce the battery's lifetime [11], [12]. The first-level controller of the converter is based on a current controller for a renewable energy source (RES) and a voltage controller for the ESS, but no limitation to the ESS current is provided. The same approach is presented in [15], wherein a bidirectional buck converter is used to interface a battery, avoiding currents with high ripples. However, the converter controller is based on two cascade PI controllers, and without accounting for any limitation of the battery current derivative.

A simpler approach is presented in [16], [17], in which HESSs formed by a capacitor and battery are proposed. However, in those works, only one of the storage devices is interfaced using a DC/DC converter, and, therefore, only one storage device can be controlled. This structure avoids the possibility of decoupling the high-frequency components of the load current from the battery since no limitation into the current derivative is adopted. Moreover, the control systems are, as in the previous cases, cascade structures of PI controllers, which cannot provide global stability. Therefore, other works such as [18], [19] propose parallel structures based on a battery and capacitor interfaced with DC/DC converters, which enable decoupling of the battery dynamics from the DC bus perturbations. However, in [18], both devices are interfaced with boost converters, so high current ripples are injected into the DC bus. Moreover, both converters are controlled using PI structures, but the design of those controllers is not described. Similarly, [19] does not report the converters' topology, or the controllers' design. In any case, that work emphasises the use of a capacitor to provide the high-frequency components of the bus current, which is necessary to avoid degradation of the battery's lifetime. In addition, both works are intended for electric vehicles, for which the speed and lifetime of the storage device is critical.

More advanced control strategies, such as the SMCs, have been used to regulate the parallel structures battery/capacitor used to form HESSs. For example, [20] presents a parallel connection of boost converters to interface a battery and a capacitor with the DC bus, whereby both converters are controlled using PI and SMC controllers. The study shows that the SMC provides better performance and improved stability; however, no limitation to the derivative of the battery current is adopted. Similarly, [21] uses an SMC to control the boost converter interfacing the battery, but there are two problems: no limitation on the current derivative of the battery is considered, and the load is modelled with a constant impedance, which is not an accurate representation of a DC bus. Based on sliding-mode theory, [22] proposes a battery/capacitor HESS based on bidirectional buck converters; hence, a discontinuous current is injected into the DC bus (high current ripple). The SMCs are designed to control the inductor currents, whereby a cascade voltage controller regulates the bus voltage and a cascade power controller ensures the correct power balance. Finally, the controllers' stability is analysed independently, so the whole system is stable. The main problem with this work is the absence of a limitation on the battery current derivative to avoid accelerated aging due to high-frequency current transients.

Therefore, to provide stable DC bus voltage and protect the battery from high-frequency current transients that could reduce its lifetime, this paper proposes a power conversion system for HESSs based on bidirectional boost and buck converters. This new power system is designed to provide continuous current to both the battery and the DC bus, and the SMCs are adopted to ensure a fast response and global stability. The rest of the paper is organised as follows: the active topology proposed for the HESS is presented in Section 2, after which the SMC design for each converter, guaranteeing the systems' global stability, is presented in Section 3. Section 4 reports an application example and the system simulations for a case study. Finally, the conclusions in Section 5 close the paper.

## 2. Electrical structure of the power conversion system

The main objective of the proposed solution is to reduce the high-frequency current transients reaching the battery, without affecting the current delivered to the load, by extracting (or storing) the high-frequency components of the load current in a capacitor, so that the battery provides (or stores) the current's low-frequency components.

Figure 1 presents the circuitual scheme of the proposed power conversion system, where voltage source  $v_b$  represents the battery and  $C_b$  represents the auxiliary storage capacitor. The battery is isolated from the load by a boost converter, while the capacitor is isolated using a buck converter. The boost converter is used to interface the battery since it imposes a continuous current on the battery, hence avoiding high current transients. Instead, the buck converter is selected to interface the capacitor due to the continuous current provided at the output, which corresponds to an additional voltage regulation capacitor,  $C_{dc}$ . This last condition makes it possible to regulate the voltage of  $C_{dc}$  to provide a regulated voltage level to the load in any condition: discharge mode (positive battery current), charge mode (negative battery current) and stand-by mode (null battery current).

The boost converter has a bidirectional structure (replacing the diode with a MOSFET) with an inductor,  $L_b$ , that imposes the battery current ( $i_{Lb} = i_b$ ). The buck converter also has a bidirectional

structure with an inductor,  $L_c$  ( $i_{Lc}$  current). The voltage of the output capacitor  $C_{dc}$  is perturbed by the output current of the boost converter ( $i_{bo}$ ), the inductor current of the buck converter ( $i_{Lc}$ ), and the load current ( $i_{dc}$ ). Therefore, the  $i_{Lc}$  current must be controlled to provide a regulated output voltage,  $v_{dc}$ , while the battery current,  $i_{Lb}$ , must be regulated to limit the current derivative within safe limits, which in turn protects the battery from high-frequency currents. It must be pointed out that this solution adopts the same number and type of converters reported in other solutions such as [3], [4], [6], [7], [10], [11], [12], [13], [14], [20], [22]; hence no additional costs are introduced due to the power stages. Similarly, the controllers have the same nature that the solutions reported in [20], [21], [22]; hence no additional costs are introduced due to the control stages.

The circuitual scheme represents the load with current steps, which corresponds to the current profiles with the highest derivative, both positive and negative. Finally, the proposed power conversion system provides regulated voltage to the load in any operation condition, thus behaving as an ideal voltage source.

### 3. Sliding-mode controllers (SMCs)

To regulate both the battery current and the load voltage, two SMCs are designed. The first is in charge of regulating the  $i_{Lb}$  current, imposing a safe profile to the battery current; the second is in charge of regulating the load voltage,  $v_{dc}$ . In the following, the mathematical models of the circuit and both SMCs are described:

#### 3.1. Mathematical model

The differential equations modelling the inductor currents and capacitor voltages are:

$$\frac{di_{Lb}}{dt} = \frac{v_b - v_{dc} \cdot (1 - u_b)}{L_b} \quad (1)$$

$$\frac{di_{Lc}}{dt} = \frac{v_c \cdot u_c - v_{dc}}{L_c} \quad (2)$$

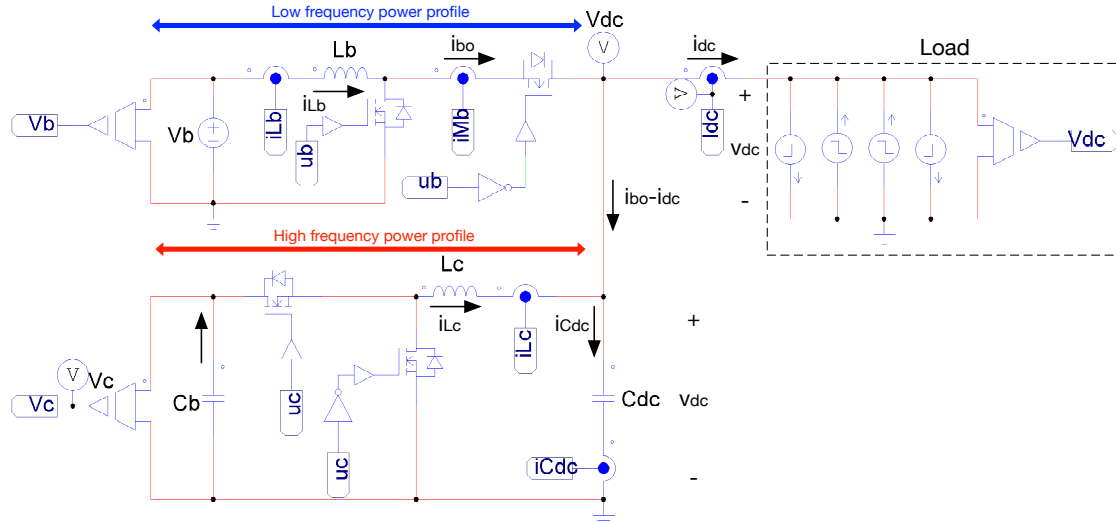
$$\frac{dv_{dc}}{dt} = \frac{i_{Lc} - i_{dc} + i_{bo}}{C_{dc}} \quad (3)$$

$$\frac{dv_c}{dt} = \frac{-i_{Lc} \cdot u_c}{L_b} \quad (4)$$

In those equations,  $u_b$  represents the control signal driving the MOSFETs of the boost converter, while  $u_c$  represents the signal driving the MOSFETs of the buck converter. Moreover, averaging those equations within the switching period [23], the average values of the output current in the boost converter,  $i_{bo}$ , and its duty cycle,  $d_b$ , are:

$$i_{bo} = i_{Lb} \cdot (1 - d_b) \quad (5)$$

$$d_b = 1 - \frac{v_b}{v_{dc}} \quad (6)$$



**Figure 1.** Electrical scheme of the proposed power conversion system for hybrid battery-capacitor storage.

### 3.2. SMCs

The objective of this SMC is to regulate the  $L_b$  current ( $i_{Lb}$ ) in agreement with a given reference value,  $i_{br}$ . This is achieved with the following switching function  $S_b$  and sliding surface  $S_b = 0$ :

$$S_b = i_{br} - i_{Lb} \tag{7}$$

The derivative of the previous switching function is:

$$\frac{dS_b}{dt} = \frac{di_{br}}{dt} - \frac{v_b - v_{dc} \cdot (1 - u_b)}{L_b} \tag{8}$$

The global stability of the SMC for switched power converters is evaluated using the three conditions described in [24]: transversality, reachability and equivalent control. Moreover, in [25], Sira-Ramirez demonstrated that the reachability and equivalent control conditions are equal, so only one of them must be evaluated. Therefore, any SMC that fulfils both transversality and reachability conditions is globally stable.

#### 3.2.1. Transversality condition

The transversality condition evaluates the presence of the control signal in the derivative of the switching function [26]. Thus, it evaluates the controllability of the system:

$$\frac{d}{du_b} \left( \frac{dS_b}{dt} \right) \neq 0 \tag{9}$$

Including (8) in (9):

$$\frac{d}{du_b} \left( \frac{dS_b}{dt} \right) = -\frac{v_{dc}}{L_b} < 0 \tag{10}$$

Since (10) is true in any condition, the transversality condition is always fulfilled. Therefore, it is possible to implement an SMC based on the sliding surface  $S_b = 0$ .

### 3.2.2. Reachability condition

The reachability condition analyses the convergence of the switching function,  $S_b$ , to the sliding surface  $S_b = 0$  [26]. As such, when  $S_b$  is operating under the surface, its derivative must be positive to reach the surface; similarly, when  $S_b$  is operating above the surface, its derivative must be negative to reach the surface. The previous conditions are formalised as follows:

$$\lim_{S_b \rightarrow 0^-} \frac{dS_b}{dt} > 0 \wedge \lim_{S_b \rightarrow 0^+} \frac{dS_b}{dt} < 0 \quad (11)$$

The analysis of (11) depends on the sign of the transversality condition (10): since  $\frac{d}{du_b} \left( \frac{dS_b}{dt} \right) < 0$ , it means that a positive change in  $u_b$  produces a negative  $S_b$  derivative, while a negative change in  $u_b$  produces a positive  $S_b$  derivative. Therefore, to achieve  $\frac{dS_b}{dt} > 0$ ,  $u_b$  must change to 0, while to achieve  $\frac{dS_b}{dt} < 0$ ,  $u_b$  must change to 1. Then, using the value of  $S_b$  given in (8) to evaluate the condition given in (11), the following reachability conditions are obtained:

$$\lim_{S_b \rightarrow 0^-} \frac{dS_b}{dt} \Big|_{u_b=0} = \frac{di_{br}}{dt} - \frac{v_b - v_{dc}}{L_b} > 0 \quad (12)$$

$$\lim_{S_b \rightarrow 0^+} \frac{dS_b}{dt} \Big|_{u_b=1} = \frac{di_{br}}{dt} - \frac{v_b}{L_b} < 0 \quad (13)$$

Both inequalities (12) and (13) impose dynamic restrictions on the reference,  $i_{br}$ , which is used to define the battery current. The practical dynamic restrictions are given in (14), which must be fulfilled to ensure the operation inside the sliding surface:

$$\frac{v_b - v_{dc}}{L_b} < \frac{di_{br}}{dt} < \frac{v_b}{L_b} \quad (14)$$

Analysing the  $L_b$  current derivative given in (1), it is concluded that the limits of inequality (14) correspond to the maximum positive and negative derivatives of the  $L_b$  current; hence, the proposed SMC based on  $S_b$  enables reaching the fastest response for a boost converter.

Finally, since both transversality and reachability conditions are fulfilled, the analyses reported in [25] ensure that the DC/DC converter controlled by the proposed SMC has global stability.

### 3.2.3. Reference generator

The reference for the battery current  $i_{br}$  must be defined following two conditions:

- The derivative of  $i_{br}$  must fulfil the restrictions given in (12).



- The average battery power,  $p_b = v_b \cdot i_{br}$ , must be equal to the average load power,  $p_{dc} = v_{dc} \cdot i_{dc}$ . In that way the average power exchanged with the capacitor is zero, hence it has a constant average charge.

The previous conditions are fulfilled using the structure depicted in Figure 2, which also presents the flowchart of the power balance algorithm. First, the theoretical battery current,  $i_{br}^*$ , needed to balance the capacitor power is calculated as  $i_{br}^* = v_{dc} \cdot \frac{i_{dc}}{v_b}$ , which could exhibit high-frequency components; therefore, a circuit is introduced to limit the derivative of the  $i_{br}^*$  signal. Such a derivative limiter is configured to ensure a maximum current derivative lower than the safe slew-rate value (SR), which depends on the battery specifications. The reference current,  $i_{br}$ , corresponds to the output of the derivative limiter.

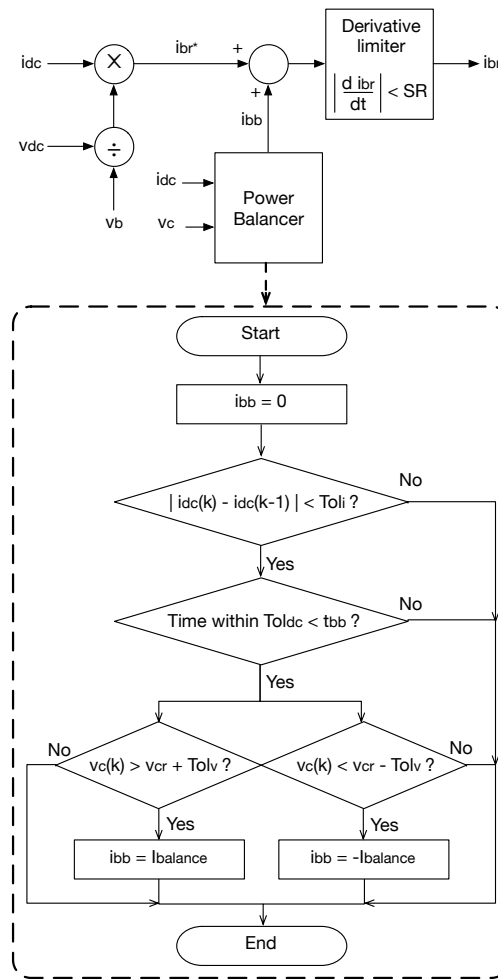


Figure 2.  $i_{br}$  reference generator structure and power balance algorithm.

Second, since high-frequency current transients are not provided in  $i_{br}$ , the capacitor charge is not balanced after a high-frequency transient. Therefore, an additional power balance algorithm is used to balance the capacitor charge, which increases or decreases the  $i_{br}$  reference using the signal  $i_{bb}$  until the capacitor voltage reaches a reference value,  $v_{cr}$ , within an acceptable tolerance,  $Tol_v$ . This hysteric tolerance is introduced to avoid voltage chattering around  $v_{cr}$ . Moreover, the power balance block is active when the load current is stable within a tolerance band,  $Tol_i$ , i.e. without



high-frequency transients: to activate the power balance block, the changes of the load current,  $i_{dc}$ , must be within the tolerance band,  $Tol_i$ , during at least  $t_{bb}$  seconds. When those conditions are fulfilled, the signal,  $i_{bb}$ , is equal to a safe current magnitude,  $I_{balance}$ , used to balance the capacitor as follows: if the capacitor voltage is under the hysteresis band  $v_{cr} - Tol_v$ , then  $i_{bb} = I_{balance}$ ; instead if the capacitor voltage is over the hysteresis band  $v_{cr} + Tol_v$ , then  $i_{bb} = -I_{balance}$ . Otherwise,  $i_{bb} = 0$ .

In conclusion, the power balance block only acts when the load current is stable for a predefined time interval.

### 3.2.4. Controller implementation

The implementation of the SMC based on  $S_b$  must be done using a hysteresis comparator to limit the switching frequency [27]. This is achieved by imposing a control law in agreement with the reachability conditions in (12) and (13) but including the hysteresis band  $(-H_b, +H_b)$  as given in (15). Therefore, the practical sliding surface becomes  $-H_b \leq S_b \leq +H_b$ , and the controller is stable if the switching function always operates inside the hysteresis band.

$$\begin{cases} \text{if } S_b < -H_b \rightarrow u_b = 0 \\ \text{if } S_b > +H_b \rightarrow u_b = 1 \end{cases} \quad (15)$$

The previous control law is implemented using two classical comparators and S-R Flip-Flop. The circuital implementation of such a control law is presented in Figure 3, which also depicts the implementation of the derivative limiter (SR) and the power balance block. The algorithm of that block is coded in C language. Finally, the hysteresis band,  $H_b$ , is selected to limit the switching frequency below a practical value.

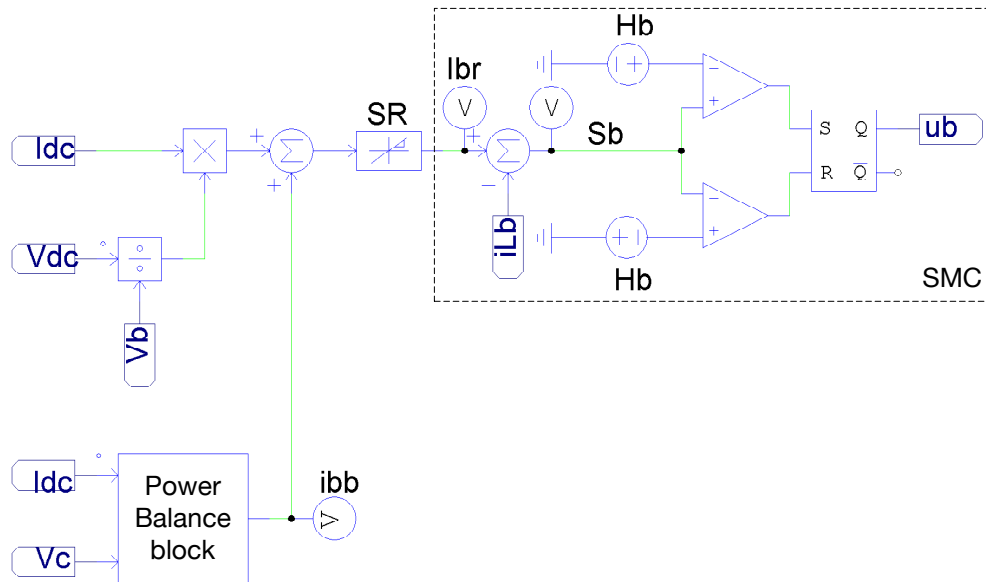


Figure 3. SMC based on  $S_b$ .

### 3.3. SMC for the output voltage

The objective of this SMC is to regulate the  $L_c$  current ( $i_{Lc}$ ) following a reference value,  $i_{cr}$ , generated by a voltage controller, which in turn must provide a regulated output voltage,  $v_{dc}$ . This SMC is based on the following switching function,  $S_c$ , with the sliding surface  $S_c = 0$ :

$$S_c = i_{cr} - i_{Lc} \quad (16)$$

The derivative of the previous switching function is:

$$\frac{dS_c}{dt} = \frac{di_{cr}}{dt} - \frac{v_c \cdot u_c - v_{dc}}{L_c} \quad (17)$$

#### 3.3.1. Transversality condition

The transversality condition of this part of the system is:

$$\frac{d}{du_c} \left( \frac{dS_c}{dt} \right) \neq 0 \quad (18)$$

Placing (17) into (18):

$$\frac{d}{du_c} \left( \frac{dS_c}{dt} \right) = -\frac{v_c}{L_c} < 0 \quad (19)$$

Since (19) is always true, the transversality condition is always fulfilled. Therefore, it is possible to implement an SMC based on the sliding surface  $S_c = 0$ .

#### 3.3.2. Reachability condition

Considering the transversality value (19) is negative, the reachability condition is similar to that obtained for the previous SMC:

$$\lim_{S_c \rightarrow 0^-} \frac{dS_c}{dt} \Big|_{u_c=0} = \frac{di_{cr}}{dt} + \frac{v_c}{L_c} > 0 \quad (20)$$

$$\lim_{S_c \rightarrow 0^+} \frac{dS_c}{dt} \Big|_{u_c=1} = \frac{di_{cr}}{dt} - \frac{v_c - v_{dc}}{L_c} < 0 \quad (21)$$

The previous inequalities impose the following dynamic restrictions to the reference  $i_{cr}$ :

$$-\frac{v_{dc}}{L_c} < \frac{di_{cr}}{dt} < \frac{v_c - v_{dc}}{L_c} \quad (22)$$

As in the previous SMC, the  $L_c$  current derivative given in (2) shows that the limits of inequality (22) correspond to the maximum positive and negative derivatives of the  $L_c$  current; hence, the

reachability conditions are always fulfilled. Moreover, such an expression also suggest that the SMC based on  $S_c$  enables reaching the fastest response possible for the buck converter.

Finally, as for the previous SMC, since both the transversality and reachability conditions are fulfilled, the analyses reported in [25] ensure that the buck converter controlled by this SMC has global stability.

### 3.3.3. Equivalent dynamics of the SMC

The action of the SMC based on  $S_c$  over the buck converter (high-frequency power profile in Figure 1) enables imposing a desired current profile,  $i_{cr}$ , in  $L_c$ . Therefore,  $L_c$  could be modelled as a controlled current source with value  $i_{cr}$ . Moreover, in steady-state conditions, the battery must provide (or store) the load current, so the steady-state value of  $i_{cr}$  is zero. The previous conditions imply that a change,  $\delta i_{dc}$ , in the load current is equal to the difference between the new load current (after the perturbation) and the steady-state current at the output of the boost converter,  $I_{bo}$ . In mathematical terms, the load current after perturbations is given by (23), where  $I_{dc}$  is the steady-state current of the load (before the perturbation). Finally, the load current perturbation is calculated in (24) as the difference between the load current and the steady-state current at the output of the boost converter,  $I_{bo}$ .

$$i_{dc} = \delta i_{dc} + I_{dc} \quad (23)$$

$$\delta i_{dc} = i_{dc} - I_{bo} \quad (24)$$

From the circuit depicted in Figure 1 and from Eqs. (3), (5) and (24), the output capacitor current is:

$$i_{C_{dc}} = i_{cr} - \delta i_{dc} = C_{dc} \cdot \frac{dv_{dc}}{dt} \quad (25)$$

Applying the Laplace transformation to Eq. (25):

$$v_{dc}(s) = \frac{i_{cr}(s)}{s \cdot C_{dc}} - \frac{\delta i_{dc}(s)}{s \cdot C_{dc}} \quad (26)$$

The block diagram of the equivalent system is depicted in Figure 4, which includes the reference value,  $v_r$ , for the load voltage and an additional controller,  $G_v(s)$ , for defining the reference,  $i_{cr}$ , of the SMC. This paper proposes implementing  $G_v(s)$  using a fixed gain,  $k_p$ , which produces the following closed-loop dynamics:

$$\frac{v_{dc}(s)}{v_r(s)} = \frac{1}{\frac{C_{dc}}{k_p} \cdot s + 1} \quad (27)$$

Therefore,  $k_p$  is designed using (28) to impose a desired settling time,  $t_s$ , on the load voltage.

$$k_p = \frac{4 \cdot C_{dc}}{t_s} > 0 \quad (28)$$

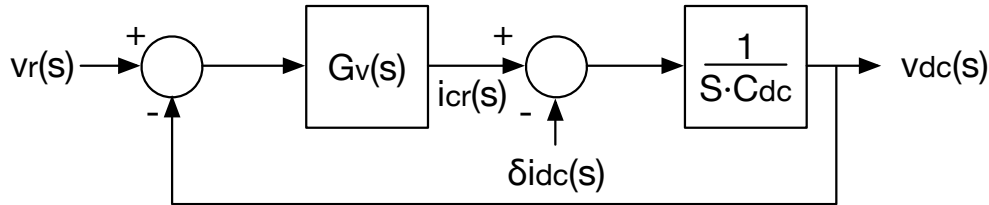


Figure 4. Equivalent system of  $S_c$ .

Equations (27) and (28) indicate the stability of the bus voltage:  $k_p$  and  $C_{dc}$  always have positive values; hence, the equivalent closed-loop pole of (27) is located at  $s = -\frac{k_p}{C_{dc}} < 0$ , which ensures the global stability of the bus voltage.

### 3.3.4. Controller implementation

Similar to the implementation of the previous controller, the SMC based on  $S_c$  must be implemented using a hysteresis comparator to limit the switching frequency [27]. In this case the control law is in agreement with the reachability conditions in (20) and (21), including the hysteresis band  $(-H_c, +H_c)$  as given in (29). Therefore, the practical sliding surface becomes  $-H_c \leq S_c \leq +H_c$ ; and the controller is stable if the switching function always operates inside the hysteresis band.

$$\begin{cases} \text{if } S_c < -H_c \rightarrow u_c = 0 \\ \text{if } S_c > +H_c \rightarrow u_c = 1 \end{cases} \quad (29)$$

Such a control law is implemented using two classical comparators and S-R Flip-Flop. Figure 5 presents the circuitual implementation, wherein the hysteresis band  $H_c$  is selected to limit the switching frequency below a practical value.

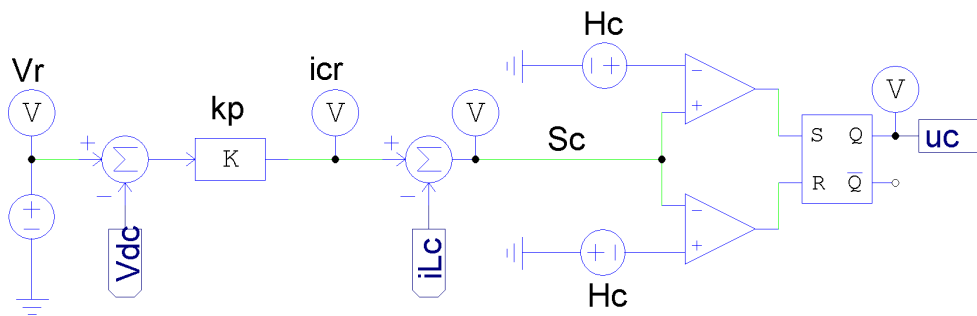


Figure 5. SMC based on  $S_c$ .

## 4. Design example and circuitual simulations

To illustrate the system design and performance, the parameters given in Table I were considered, and the hysteresis bands were selected to limit the switching frequencies up to 200 kHz. Finally,

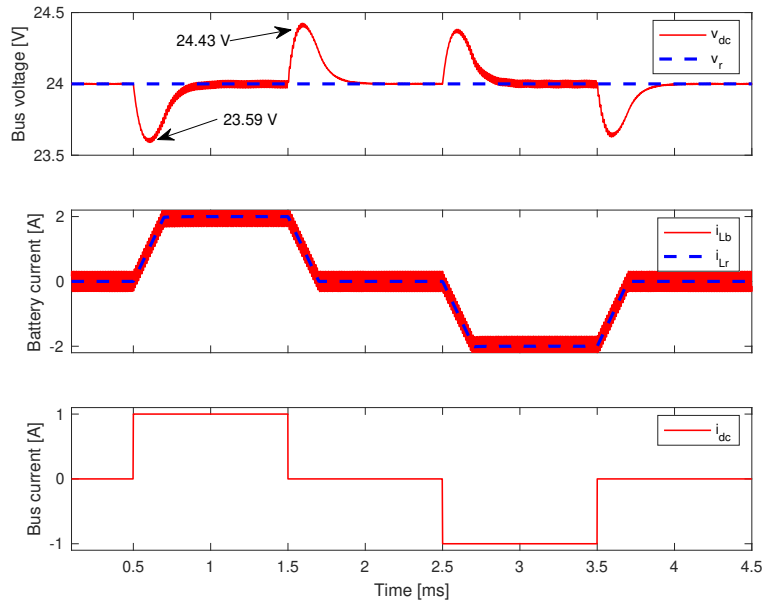
the controller parameter,  $k_p = 1,333$ , was calculated from (28) to impose a settling time equal to  $0,3 \text{ ms}$ .

**Table I.** Simulation parameters

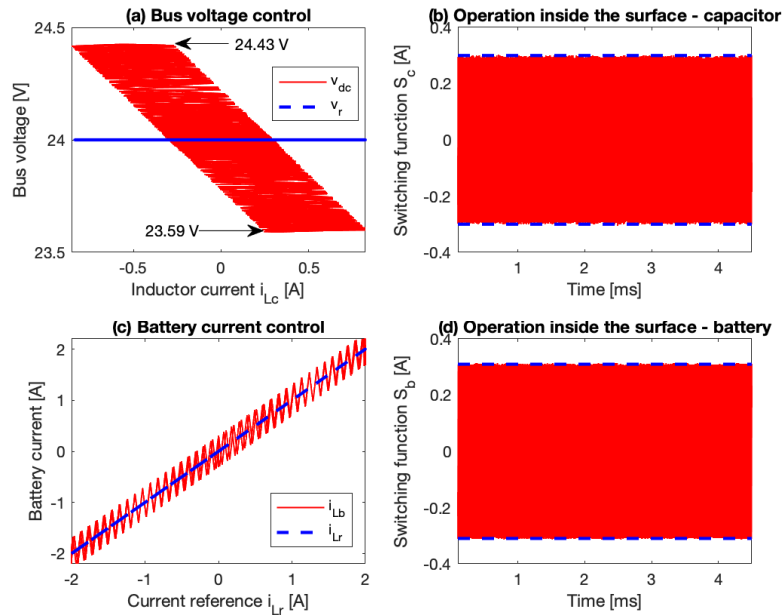
Parameter	Value
Battery voltage	$v_b = 12 \text{ V}$
Maximum SR for the battery current	$S_r = 10 \text{ A/ms}$
Boost converter inductance	$L_b = 100 \mu\text{H}$
Hysteresis band for the boost	$H_b = 0,3$
Storage capacitor	$C_b = 100 \mu\text{F}$
Storage capacitor reference	$v_{cr} = 48 \text{ V}$
Buck converter inductance	$L_c = 100 \mu\text{H}$
Hysteresis band for the buck	$H_c = 0,28$
Bus capacitor	$C_{dc} = 100 \mu\text{F}$
Bus voltage reference	$v_r = 24 \text{ V}$
Desired settling time for the bus voltage	$t_s = 0,3 \text{ ms}$

Figure 6 presents the behavior of the power system for fast current transients in the load current: it is observed that both positive and negative currents are imposed by the load, but in all cases the load voltage is successfully regulated. Moreover, the limitation of the slew-rate of the battery current is also observed, which also corresponds to the current of the inductor  $L_b$ . Therefore, the proposed solution was effective in any operation condition: charging the battery, discharging the battery, and without energy exchange with the battery (stand-by mode). Figure 7 presents different phase planes of the power system for the simulation presented in Figure 6. Figure 7(a) shows the phase plane for the buck converter, which regulated the bus voltage: it was observed that the bus voltage was around the reference value independent of inductor current  $i_{L_c}$ , which could be positive (discharge), negative (charge) or zero (stand-by). Figure 7(b) shows the switching function,  $S_c$ , of the buck converter, which always operated in the hysteresis band  $-H_c \leq S_c \leq +H_c$ ; hence, the sliding-mode existed, and the system was globally stable. Figure 7(c) presents the phase plane of the boost converter, where the battery current (buck inductor current) followed with null error the current reference in any condition, i.e. discharge (positive), charge (negative) or stand-by (zero). Finally, Figure 7(d) shows the switching function,  $S_b$ , of the boost converter, which also operated in the hysteresis band  $-H_b \leq S_b \leq +H_b$ ; thus, the sliding-mode existed and the closed-loop boost converter was globally stable.

Figure 8 presents the simulation of two consecutive current transients, which increased the current load and; after the second perturbation, the load current remained constant (equal to  $2 \text{ A}$ ). The simulation showed that both perturbations reduced the  $C_b$  capacitor voltage since the capacitor was in charge of delivering the high-frequency components of the transient. In this example, the power balance block was configured to start the compensation after  $t_{bb} = 2 \text{ ms}$  of stable conditions, introducing a compensation current,  $i_{bb} = 250 \text{ mA}$ . However, any other values could have been used depending on the particular application. The simulation (Figure 8) showed that the power balance block increased the inductor current of the boost converter by  $250 \text{ mA}$ , over the current requested by the load, to charge the capacitor. In fact, when the capacitor voltage was restored to  $v_{cr} = 48 \text{ V}$ , the compensation current,  $i_{bb}$ , was set to  $0 \text{ A}$ .



**Figure 6.** Simulation of the power system under fast load perturbations.



**Figure 7.** Phase planes of the power system under fast load perturbations.

Figure 9(a) shows the phase plane for the buck converter for this simulation, wherein the bus voltage was regulated around the reference value for any inductor current,  $i_{Lc}$ , value, e.g. positive (discharge), negative (charge) or zero (stand-by). Figure 9(b) shows the switching function,  $S_c$ , of the buck converter for this simulation, which also operated in the hysteresis band  $-H_c \leq S_c \leq +H_c$ ; hence, the sliding-mode existed, and the buck converter was globally stable. Similarly, Figure 9(d) shows the switching function,  $S_b$ , of the boost converter, which also operated in the hysteresis band

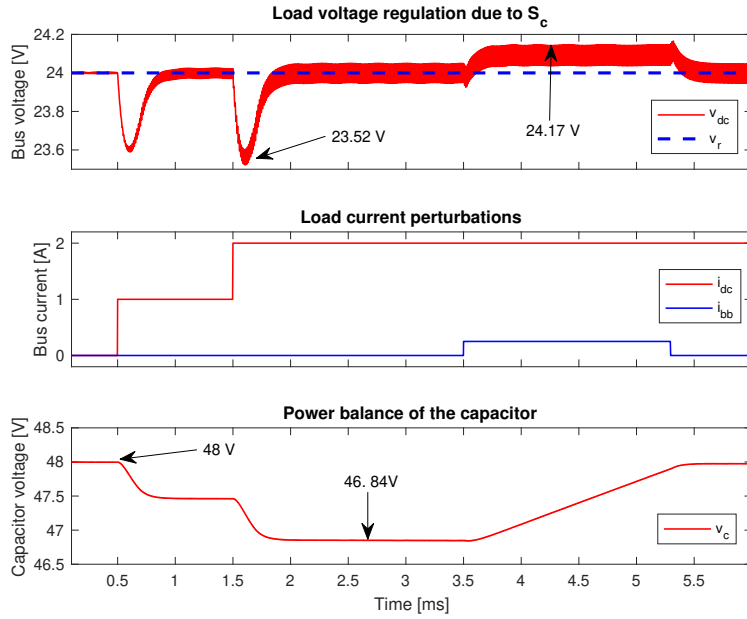


Figure 8. Action of the power balance block.

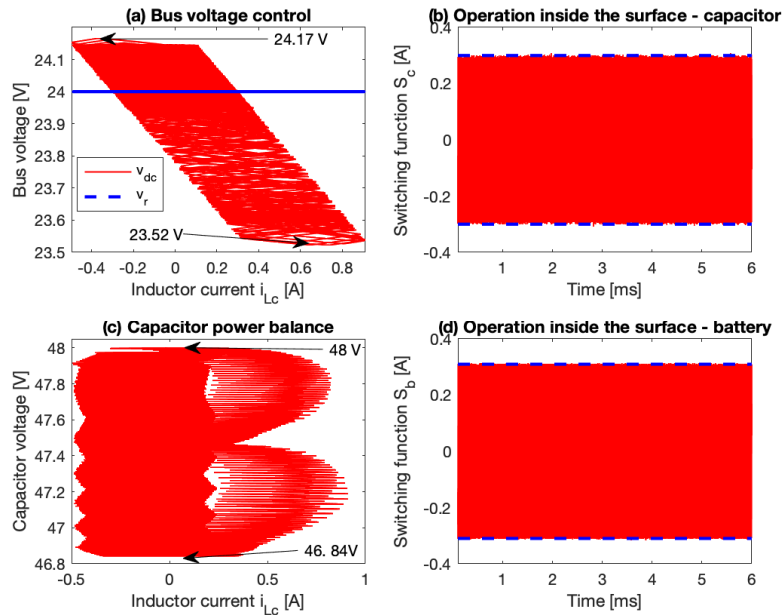


Figure 9. Phase planes of the system under the action of the power balance block.

$-H_b \leq S_b \leq +H_b$ , and the boost converter was globally stable. Finally, Figure 9(c) presents the phase plane of the buck converter in terms of the storage capacitor voltage, which was regulated by the power balance block around the reference value for any condition of the inductor current, i.e. discharge (positive), charge (negative) or stand-by (zero).

In conclusion, the simulations presented in this section indicated the correct behavior of the pro-



posed solution:

- The load voltage was regulated in any operation condition.
- The battery was not exposed to high-frequency currents.
- The auxiliary capacitor charge was balanced.
- Both SMCs exhibited global stability.

Finally, the global stability of the proposed solution significantly improves the reliability and safety of the hybrid power system in comparison with other solutions based on linear controllers, such as the ones reported in [5], [7], [8], [13], [16], [17]. Moreover, the limitation of the current slope, provided by proposed solution, also reduced the battery degradation in comparison with solutions where such a limitation is not considered, e.g. [11], [12], [13], [16], [17], [20], [21], [22].

## 5. Conclusions

This paper reported an active HESS formed by a battery, a capacitor and two DC/DC converters. Two SMCs were designed, one for a boost converter and one for a buck converter. The boost converter interfaced the battery with the load and was controlled to avoid injecting high-frequency transients into the battery. Instead, the second controller operated on the buck converter, which interfaced the capacitor and the load to provide a regulated voltage to the load in any condition. Moreover, the existence of both sliding surfaces was guaranteed, confirming the system's global stability.

The simulation results demonstrated that both the bus voltage regulation and battery current regulation fulfilled the design criteria. The results also showed that the load voltage was regulated in any operation condition, the battery was not exposed to high-frequency currents, and the auxiliary capacitor charge was balanced.

The main limitation of this solution concerns the use of a lossless energy balance for the regulation of steady-state battery current. This limitation could be addressed in future work by including additional current sensors in the circuit, accounting for parasitic losses, though at the price of increasing the system cost. The experimental verification of this solution is under development, which should account for this limitation. Finally, another future improvement could be the adoption of step up/down high-order converters to enable the connection of any battery to any bus voltage level, e.g. buck-boost converters with input/output filters, Cuk, Sepic or Zeta converters, among others.

## 6. Acknowledgements

This work was supported by the Instituto Tecnológico Metropolitano (Project P17211), the Universidad Nacional de Colombia and Minciencias (Fondo nacional de financiamiento para ciencia,

la tecnología y la innovación Francisco José de Caldas) under the projects “Estrategia de transformación del sector energético Colombiano en el horizonte de 2030 - Energetica 2030”, and “Generación distribuida de energía eléctrica en Colombia a partir de energía solar y eólica”(Code: 58838, Hermes: 38945).

## References

- [1] M. Hoel and S. Kverndokk, “Depletion of fossil fuels and the impacts of global warming”, *Resource and Energy Economics*, vol. 18, no. 2, pp. 115–136, 1996, doi:10.1016/0928-7655(96)00005-X.↑ 195
- [2] European Automobile Manufacturers Association, “New Passenger Car Registrations by Fuel Type in the European Union – Quarter 1 2019”, ACEA, Brussels, Tech. Rep., 2019.↑ 195
- [3] T. Zimmermann, P. Keil, M. Hofmann, M. F. Horsche, S. Pichlmaier and A. Jossen, “Review of system topologies for hybrid electrical energy storage systems”, *Journal of Energy Storage*, vol. 8, pp. 78–90, 2016, doi:10.1016/j.est.2016.09.006.↑ 195, 198
- [4] Jian Cao and A. Emadi, “A New Battery/UltraCapacitor Hybrid Energy Storage System for Electric, Hybrid, and Plug-In Hybrid Electric Vehicles”, *IEEE Transactions on Power Electronics*, vol. 27, no. 1, pp. 122–132, 2012, doi:10.1109/TPEL.2011.2151206.↑ 195, 198
- [5] H. Zhou, T. Bhattacharya, D. Tran, T. S. T. Siew and A. M. Khambadkone, “Composite Energy Storage System Involving Battery and Ultracapacitor With Dynamic Energy Management in Microgrid Applications”, *IEEE Transactions on Power Electronics*, vol. 26, no. 3, pp. 923–930, 2011, doi:10.1109/TPEL.2010.2095040.↑ 195, 209
- [6] M. Soltani, J. Ronsmans, S. Kakihara, J. Jagemont, P. Van den Bossche, J. Van Mierlo and N. Omar, “Hybrid Battery/Lithium-Ion Capacitor Energy Storage System for a Pure Electric Bus for an Urban Transportation Application”, *Applied Sciences*, vol. 8, no. 7, p. 1176, 2018, doi:10.3390/app8071176.↑ 195, 198
- [7] X. Wang, D. Yu, S. Le Blond, Z. Zhao and P. Wilson, “A novel controller of a battery-supercapacitor hybrid energy storage system for domestic applications”, *Energy and Buildings*, vol. 141, pp. 167–174, 2017, doi:10.1016/j.enbuild.2017.02.041.↑ 195, 198, 209
- [8] Ke Jin, Mengxiong Yang, Xinbo Ruan and Min Xu, “Three-Level Bidirectional Converter for Fuel-Cell/Battery Hybrid Power System”, *IEEE Transactions on Industrial Electronics*, vol. 57, no. 6, pp. 1976–1986, 2010, doi:10.1109/TIE.2009.2031197.↑ 196, 209
- [9] J. S. Vanegas, M. A. Latorre and J. D. Rairán, “Cargador manual de baterías: prototipo académico”. *Revista Ingeniería*, vol. 21, no. 1, pp. 83–95, 2016, doi:10.14483/udistrital.jour.reving.2016.1.a06.↑ 196
- [10] B. Yang *et al.*, “Applications of battery/supercapacitor hybrid energy storage systems for electric vehicles using perturbation observer based robust control”, *Journal of Power Sources*, vol. 448, p. 227444, 2020, doi:10.1016/j.jpowsour.2019.227444.↑ 196, 198
- [11] J. Li, A. M. Gee, M. Zhang and W. Yuan, “Analysis of battery lifetime extension in a smes-battery hybrid energy storage system using a novel battery lifetime model”, *Energy*, vol. 86, pp. 175–185, 2015, doi:10.1016/j.energy.2015.03.132.↑ 196, 198, 209
- [12] G. Ning, B. Haran and B. N. Popov, “Capacity fade study of lithium-ion batteries cycled at high discharge rates”, *Journal of Power Sources*, vol. 117, no. 1, pp. 160–169, 2003, doi:10.1016/S0378-7753(03)00029-6.↑ 196, 198, 209
- [13] E. A. Narvaez, C. A. C. Guerrero and C. L. T. Rodriguez, “Topologies for battery and supercapacitor interconnection in residential microgrids with intermittent generation”, *Ingenieria*, vol. 25, no. 1, pp. 1–11, 2020, doi:10.14483/23448393.15668.↑ 196, 198, 209
- [14] R. Han, M. Tucci, A. Martinelli, J. M. Guerrero and G. Ferrari-Trecate, “Stability analysis of primary plug-and-play and secondary leader-based controllers for dc microgrid clusters”, *IEEE Transactions on Power Systems*, vol. 34, no. 3, pp. 1780–1800, 2019, doi:10.1109/TPWRS.2018.2884876.↑ 196, 198
- [15] S. Najafi-Shad, S. M. Barakati and A. Yazdani, “An effective hybrid wind-photovoltaic system including battery energy storage with reducing control loops and omitting pv converter”, *Journal of Energy Storage*, vol. 27, 2020, doi:10.1016/j.est.2019.101088.↑ 196
- [16] O. Veneri, C. Capasso and S. Patalano, “Experimental investigation into the effectiveness of a super-capacitor based hybrid energy storage system for urban commercial vehicles”, *Applied Energy*, vol. 227, pp. 312–323, 2018, doi:10.1016/j.apenergy.2017.08.086.↑ 196, 209

- [17] L. Sun, P. Walker, K. Feng and N. Zhang, “Multi-objective component sizing for a battery-supercapacitor power supply considering the use of a power converter”, *Energy*, vol. 142, pp. 436–446, 2018, doi:10.1016/j.energy.2017.10.051.↑ 196, 209
- [18] M. Sellali, S. Abdeddaim, A. Betka, A. Djerdir, S. Drid and M. Tiar, “Fuzzy-super twisting control implementation of battery/super capacitor for electric vehicles”, *ISA Transactions*, vol. 95, pp. 243–253, 2019, doi:10.1016/j.isatra.2019.04.029.↑ 196
- [19] S. Ahmadi, S. Bathaee and A. H. Hosseinpour, “Improving fuel economy and performance of a fuel-cell hybrid electric vehicle (fuel-cell, battery, and ultra-capacitor) using optimized energy management strategy”, *Energy Conversion and Management*, vol. 160, pp. 74–84, 2018, doi:10.1016/j.enconman.2018.01.020.↑ 196
- [20] A. Etxeberria, I. Vechiu, H. Camblong and J.M. Vinassa, “Comparison of sliding mode and pi control of a hybrid energy storage system in a microgrid application”, *Energy Procedia*, vol. 12, pp. 966–974, 2011, doi:10.1016/j.egypro.2011.10.127.↑ 197, 198, 209
- [21] B. Wang, J. Xu, D. Xu and Z. Yan, “Implementation of an estimator-based adaptive sliding mode control strategy for a boost converter based battery/supercapacitor hybrid energy storage system in electric vehicles”, *Energy Conversion and Management*, vol. 151, pp. 562–572, 2017, doi:10.1016/j.enconman.2017.09.007.↑ 197, 198, 209
- [22] Z. Song, J. Hou, H. Hofmann, J. Li and M. Ouyang, “Sliding-mode and lyapunov function-based control for battery/supercapacitor hybrid energy storage system used in electric vehicles”, *Energy*, vol. 122, pp. 601–612, 2017, doi:10.1016/j.energy.2017.01.098.↑ 197, 198, 209
- [23] D. W. Hart, *Electrónica de potencia*. Madrid: Pearson Educación, S.A., 2001.↑ 198
- [24] D. G. Montoya, C. A. Ramos-Paja and R. Giral, “Improved design of sliding-mode controllers based on the requirements of mppt techniques”, *IEEE Transactions on Power Electronics*, vol. 31, no. 1, pp. 235–247, 2016, doi:10.1109/TPEL.2015.2397831.↑ 199
- [25] H. Sira-Ramírez, “Sliding motions in bilinear switched networks”, *IEEE Transactions on Circuits and Systems*, vol. 34, no. 8, pp. 919–933, 1987.↑ 199, 200, 204
- [26] V. I. Utkin, *Sliding Modes in Control and Optimization*. Berlin: Springer, 1992, doi:10.1007/978-3-642-84379-2.↑ 199, 200
- [27] S. I. Serna-Garcés, “Contributions to the efficiency and safety of stand-alone dc microgrids”, *Ph.D. dissertation, Universidad Nacional de Colombia, Manizales*, 2018.↑ 202, 205

---

### Carlos Andrés Ramos-Paja

He was born in Cali, Colombia, in 1978. He received the engineer degree in electronics from the Universidad del Valle-Colombia in 2003, a master degree on automatic control from the same university in 2005, and the Ph.D. degree in power electronics from the Universitat Rovira i Virgili-Spain in 2009. Since 2009 he has been Professor in the Universidad Nacional de Colombia, where he is Full Professor. His main research interests are in the design and control of renewable energy systems, switching converters, distributed power systems, and power quality solutions.

---

### Sergio Ignacio Serna-Garcés

He was born in Medellín, Colombia, in 1971. He received the engineer degree in electrical from the Universidad Nacional de Colombia in 1998, and electronics from the Universidad de Antioquia in 2005, a master degree on system engineering from the Universidad Nacional de Colombia in 2011, and the degree of Doctor of Engineering - Automatic Engineering from the same University in 2019. Since 2015 he has been Professor in the Instituto Tecnológico Metropolitano in Medellín-Colombia, where he is Assistant Professor. His main research interests are in DC/DC switching converter design, the design and control of renewable energy systems, and embedded systems.

---

### Daniel González-Montoya

He was born in Medellín, Colombia. He received the engineer degree in control from the Universidad Nacional de Colombia in 2010, a master degree on industrial automatic from the same university in 2012, and the Ph.D. degree in automatic engineering from the Universidad Nacional de Colombia in 2017. Since 2015 he has Professor in the Instituto Tecnológico Metropolitano ITM. His main research interests are in the design control strategies of renewable energy systems and switching converters.