

Data Acquisition with LoraWAN IoT Technology to Monitor Bio-Inspired Wind Turbines in Rural Areas of Cundinamarca

Adquisición de datos con tecnología IoT LoraWAN para monitoreo de turbinas eólicas bio-inspiradas en zonas rurales de Cundinamarca

Jersson A. Quintero*¹, Héctor G. Parra-Peñuela^{ID}², Elvis E. Gaona^{ID}¹

¹Universidad Distrital Francisco José de Caldas (Bogotá D.C., Colombia), ²Universidad Militar Nueva Granada (Bogotá D.C., Colombia)

*Correspondence e-mail: egaona@udistrital.edu.co

Recibido: 30/12/2021. Modificado: 18/11/2021. Aceptado: 09/02/2022.

Abstract

Context: The energy crisis is a global problem. In Colombia, research aimed at the efficient use of renewable energies is being conducted. For example, in the case of bio-inspired wind generators, a monitoring system is required to observe the output variables (voltage and frequency).

Method: LoRaWAN technologies are used to deploy the wireless link since the generators are separated from the base station. In addition, the Gateway coverage area is simulated with HTZ Communications software for future smart grid improvements.

Results: The implemented system allows constant monitoring over a long period of time and stores its information in online, open-source databases, which allows remotely visualizing the status of the network, with a total of 3 samples per minute and a range of up to 3,47 km.

Conclusions: The data acquisition system can be implemented for remote monitoring. Moreover, since it is a low power system, it can be utilized in non-interconnected areas, as well as for storing data for up to 6 months. However, for the characterization of a model of wind generators, it is advisable to modify the system so that the sampling time is lower.

Keywords: IoT, LoRaWAN, MCU, HTZ Communications

Acknowledgements: To the Center for Research and Scientific Development (CIDC) regarding their financial support to project 2-602-608-19, titled Development of bio-inspired active vortex generators for wind turbines in rural areas of Cundinamarca through CFD, by means of project bank call 03-2019.

Language: English

Open access



Cite as: J. A. . Quintero, H. G. Parra Peñuela, E. E. Gaona. "Data Acquisition with LoraWAN IoT Technology to Monitor Bio-Inspired Wind Turbines in Rural Areas of Cundinamarca". *Ing.*, vol. 27, no. 2, 2022. e18861. <https://doi.org/10.14483/23448393.18861>

© The authors; reproduction right holder Universidad Distrital Francisco José de Caldas.

Resumen

Contexto: La crisis energética es una problemática global. En Colombia se están realizando investigaciones para el aprovechamiento eficiente de energías renovables. Por ejemplo, en el caso de generadores eólicos bio-inspirados, se requiere un sistema de monitoreo para observar variables de salida (voltaje y frecuencia).

Método: Se utilizan tecnologías LoRaWAN para el despliegue del enlace inalámbrico, ya que los generadores están separados de la estación base. Además, la zona de cobertura del Gateway se construye en el software HTZ Communications para futuras mejoras en la red inteligente.

Resultados: El sistema implementado permite realizar un monitoreo constante por periodos de tiempo prolongados y almacena su información en bases de datos online de código abierto, lo cual permite visualizar el estado de la red de forma remota, con un total de 3 muestras por minuto y un alcance de hasta 3,47 km.

Conclusiones: El sistema de adquisición de datos puede ser implementado para monitoreo remoto. Adicionalmente, dado que es un sistema de baja potencia, puede utilizarse en zonas no interconectadas, así como para almacenar datos hasta por 6 meses. Sin embargo, para la caracterización de un modelo de generadores eólicos, es aconsejable modificar el sistema para que el tiempo de muestreo sea menor.

Palabras clave: IoT, LoRaWAN, MCU, HTZ Communications

Agradecimientos: Al Centro de Investigaciones y Desarrollo Científico (CIDC) por el apoyo económico al proyecto 2-602-608-19, titulado Desarrollo de generadores de vórtice activos bio-inspirados para rotores eólicos en zonas rurales de Cundinamarca mediante CFD, a través la convocatoria de banco de proyectos 03-2019.

Idioma: Inglés

1. Introduction

Renewable sources in the world are a type of solution to the energy and environmental problems that have been arising in recent decades [1]. Colombia, a developing country, has been aware and working to mitigate this global problem, given that water is its most used resource for energy production, followed by power plants [2]. Therefore, in recent years, Colombia has been interested in gradually increasing the use of alternative energies, as is the case of smart grids [3], offering a solution to supply energy to remote or non-interconnected rural areas (ZNI), which cannot be supplied via the main power plants of the country.

Smart grids are a set comprising a system of loads, generators, and energy storage that can be managed in isolation or connected to the rest of the electrical grid [4], a concept that was introduced by Lasseter in 2002 [5]. Smart grids can base their operation on the use of air currents, but the latter have disadvantages in the production of electrical energy, since their generation is intermittent. For this reason, there is a field of development aimed at increasing the efficiency of wind generators, wherein it is necessary to implement monitoring systems in smart grids, which may be based on the Internet of Things (IoT).

IoT is an open network of intelligent objects with the ability to share information, data, and resources, reacting to and acting on situations and changes in their environment [6]. In the case of smart grids, IoT is widely used to monitor the behavior of a system. Moreover, it is important

to mention that this technology allows remote monitoring of the variables resulting from power generation, which supports decision-making [7], [8].

2. Methodology

In this work, a system for the acquisition and monitoring of voltage and frequency variables is developed in order to evaluate the performance of the energy use produced by bio-inspired wind turbines. Different phases are implemented: selection of the IoT technology, materials, development, and implementation. The following sections describe each of the stages involved in the process (Fig. 1).

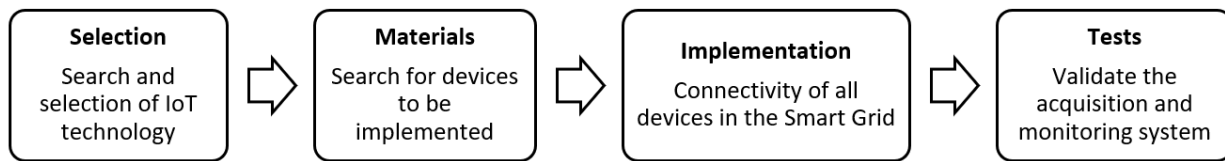


Figure 1. Phases of the elaboration of the data acquisition system to monitor energy production

2.1. Selection of the IoT technology

In the exploration stage, a low consumption system was sought, with the purpose of not wasting the energy produced in a high-power communication system. Moreover, this selection should not affect the coverage area, since some requirements of the project establish that this network should be available for future updates in the project and new applications that may involve constant monitoring. Likewise, a low-cost system was needed.

The concept of the IoT is closely related to smart grids in such a way that these can interact between several devices with minimal human intervention; the combination of these two systems is known as *smart grid* [9], which has applications in data processing and decision-making, thus allowing to maximize the energy produced, a situation that has proven to be problematic in the context of renewable energies [10].

Additionally, the searches conducted on IoT and its implementation in a smart grid network found that there are several key parameters that define what type of LPWAN technology could be implemented in the project. Among them are bandwidth, working frequency, distance, and licensed or unlicensed band, among others (Table I) [8]. After reviewing the implementation requirements, the LoRaWAN technology was chosen since it works in an unlicensed band and has a payload higher than Sigfox, unlimited number of messages, 128-bit communication encryption, and low power consumption.

LoRa is a low power private wireless communications protocol that operates in the physical layer of the OSI reference model. It has working frequencies in unlicensed bands and uses spread spectrum modulation (CSS, Chirp Spread Spectrum). Additionally, the fact that it is based on chirp

Table I. Overview of LPWAN technologies: Sigfox, Lora, and NB-IoTx [11]

LPWAN Technology/ Features	Sigfox	LoRaWAN	NB-IoT
Modulation	BPSK	CSS	QPSK
Frequency	Unlicensed ISM band (868 MHz in Europe, 915 MHz in North America, and 433 MHz in Asia)	Unlicensed ISM band (868 MHz in Europe, 915 MHz in North America, and 433 MHz in Asia).	Licensed LTE frequency band
Bandwidth	100 Hz	250KHz and 125 kHz	200 kHz
Max. data rate	100 bps	50 kbps	200 kbps
Max. messages/day	140 (UL). 4 (DL)	Unlimited	Unlimited
Max. payload length	12 bytes (UL). 8 bytes (DL)	243 bytes	1600 bytes
Distance	10 km (urban), 40 km (rural)	5 km (urban), 20 km (rural)	1 km (urban), 10 km (rural)
Authentication and encryption	Not compatible	(AES 125b)	(encryption LTE)
Enable private network	Not compatible	Yes	No

technology allows high tolerance to interference and high sensitivity to receive data up to -168 dB. This is due to transmission parameters such as channel frequency, bandwidth (BW), spreading factor (SF), and chirp rate (CR), as well as a greater range or higher transmission speed, which is required in the development of the project [12].

Bandwidth (BW). The lora modules have three configurations for the 125, 250, and 500 kHz bandwidths, modifying the data transmission between two devices. In addition, the transmitter module sends the spread data at a chirp rate equal to the system's bandwidth in chirps per second per Hz, so the 250 kHz bandwidth corresponds to a speed of 250 kcps [13].

Spreading factor (SF). It is a factor that allows configuring the range that a radio link can have between the transmitter and the receiver device. This parameter has a range between 7 and 12, and the higher the SF, the greater the range that the signal can reach, which, however, decreases the data rate and vice versa. Fig. 3 shows how the SF affects the transition speed (Fig. 2a) [14].

Code Rate (CR). LoRa networks are connection-oriented technologies, and the modulation adds forward error correction (FEC) to each data transmission. This FEC can be configured through the CR parameter in LoRa modules, offering CR settings between 0 and 4, where CR = 0 means no FEC. LoRa uses code rates of 4/5, 2/3, 4/7, and 1/2. This means that, if CR is denoted as $k = n$, where k represents useful information, and the encoder generates n number of output bits, then $n - k$ will be the redundant bits [13]. This coding considerably decreases the transmission rate (Fig. 2b).

LoRaWAN. It is a low power and wide area network protocol designed to interconnect IoT devices based on a star topology between the end devices and the Gateway (Fig. 3). Moreover, LoRaWAN also offers authentication, confidentiality, and integrity services through AES128 encryption, so that the information can only be interpreted by the ends of the link [15].

Once the technology to be used had been selected, research was conducted on the devices that were in the market and which of them could be used for implementation in a rural area of Cundinamarca, knowing that there were limitations in terms of equipment costs. There are modules developed by the RAK company that can be used in embedded systems, which is why one such

module was chosen, thus allowing the implementation of different libraries for communication between the embedded systems.

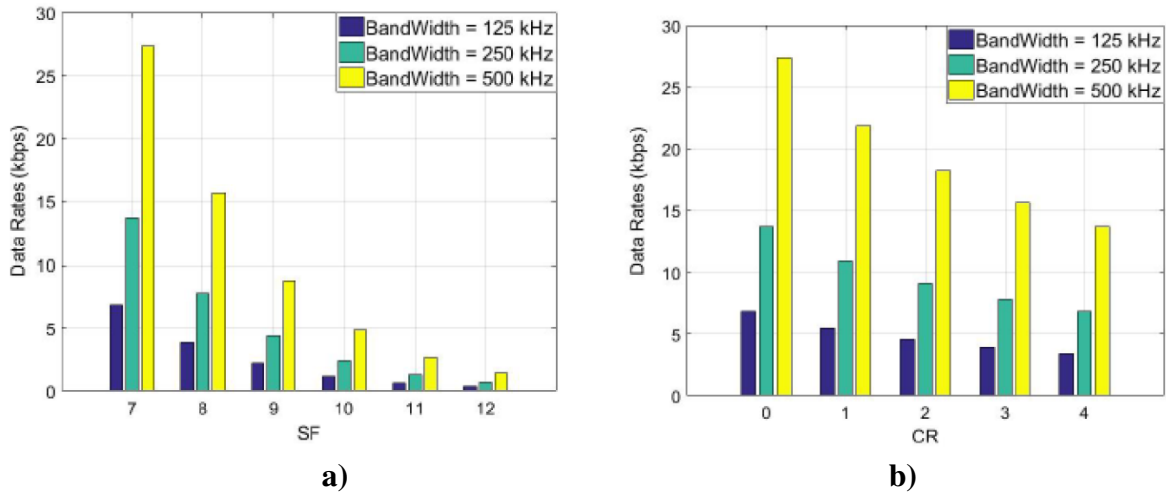


Figure 2. a) Relationship between data rate and SF expansion factor; b) relationship between CR and effective data rate with SF=7 [13]

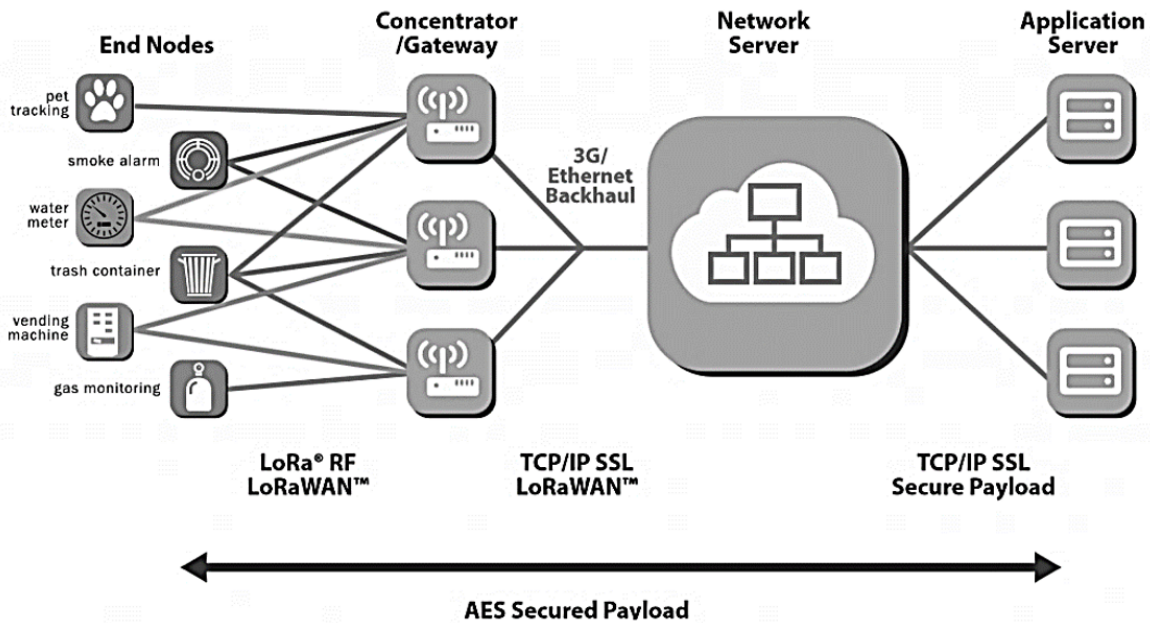


Figure 3. LoRaWAN network architecture [15]

2.2. Materials

Gateway LoRaWAN technology

RAK7258 WisGate Edge Lite (Fig. 4a) is a full 8-channel gateway with built-in Ethernet connectivity for easy configuration. In addition, there is an on-board Wi-Fi feature that allows it to be

easily configured through the default Wi-Fi AP mode. Furthermore, the Gateway has line-of-sight (LoS) ranges of up to 15 km, whereas, for highly urbanized environments, it can cover more than 2 km. It is a perfect solution for any LoRaWAN use case scenario [16].

Gateway Features:

- 8 channels - **RX Sensitivity: -139 dBm (min.)**
- **TX Power: 27 dBm (max.)**
- **Frequencies: EU433 / CN470 / EU868 / US915 / AS923 / AU915 / IN865 / KR920**

This gateway is responsible for communicating with end devices, so it must have a high sensitivity and an indoor configuration to be used when the line of sight is less than 15 km. Additionally, it has 8 channels, which allows having 8 remote nodes connected simultaneously, thus allowing the project to be scalable for future applications.

WisDuino RAK811 module evaluation board

The **WisDuino (RAK811) evaluation board** is a development board that comes with the Uno embedded system structure (Fig. 4b). It has a built-in MCU that allows it to function as a standalone solution or as a socket of an embedded system. This board is very suitable for fast development and testing. In addition to the integrated USB-UART port and conversion, it can also be configured with AT commands [17].

Features of the RAK811 LoRa module

- It supports LoRaWAN or LoRaP2P (point-to-point link)
- Low power module for battery-powered remote applications
- High receiver sensitivity (-146 dBm)
- Transmitter power between 14 and 20 dBm
- Coverage of up to 15 km in suburbs and up to 5 km coverage in urban areas
- UART communication [17]

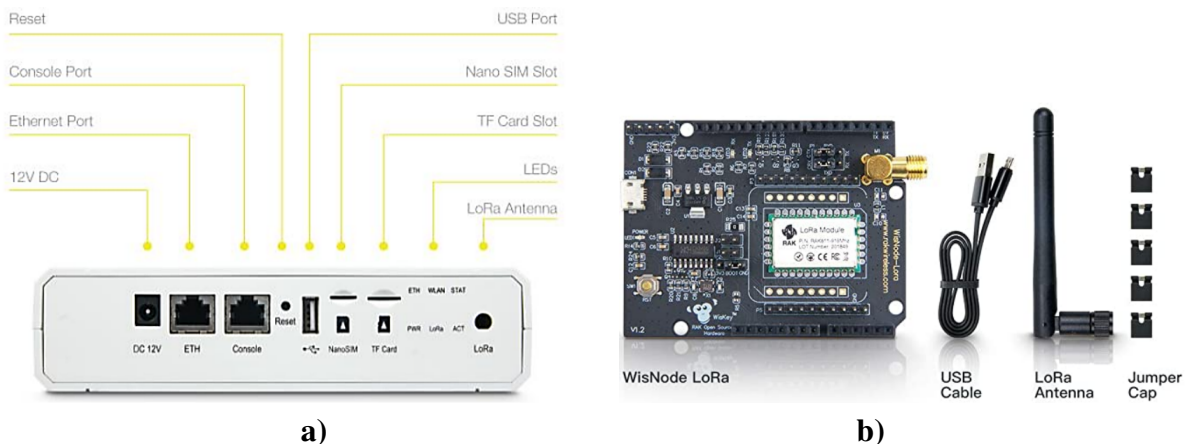


Figure 4. Physical structure of the RAK7258 Gateway [16]; b) RAK811 module evaluation board [17]

This module is responsible for wirelessly sending and receiving information from an embedded system to a Gateway. Therefore, this device allows configuring the characteristics of SF, CR, BW, and use frequency, thus allowing to have a greater range or higher transmission speed in the link.

The Things Network (TTN)

The Things Network is a global, open, decentralized, free IoT network. This service allows communication between things without the need for a 3G, 4G, or WiFi connection. It was created in 2015, with the aim of facilitating the design and manufacture of networks for the Internet of Things. In addition, it offers HTTP and MQTT integrations, as well as integration with applications developed in Java, Node.js, or Go (Fig. 5) [19].

2.3. Implementation

The development of the project was carried out with the prototype of a system that allows receiving the information of the variables generated by the use of wind energy in wind generators, namely the frequency and the RMS voltage of the generator. Fig. 6 shows the parameters of the system.

The maximum values of the variables are in the order of 10 Hz and 45V RMS, so signal conditioning is necessary to enter the embedded system (Fig. 7). The voltage ratio that must enter the embedded system was calculated (Eq. 1); a ratio close to 13:1 was estimated, thus avoiding saturation in the embedded system. Additionally, an optocoupler was added to measure the frequency through interruptions in the embedded system.

$$\frac{V_{R2}}{V_{R1}} = \frac{R2}{R1} \tag{1}$$

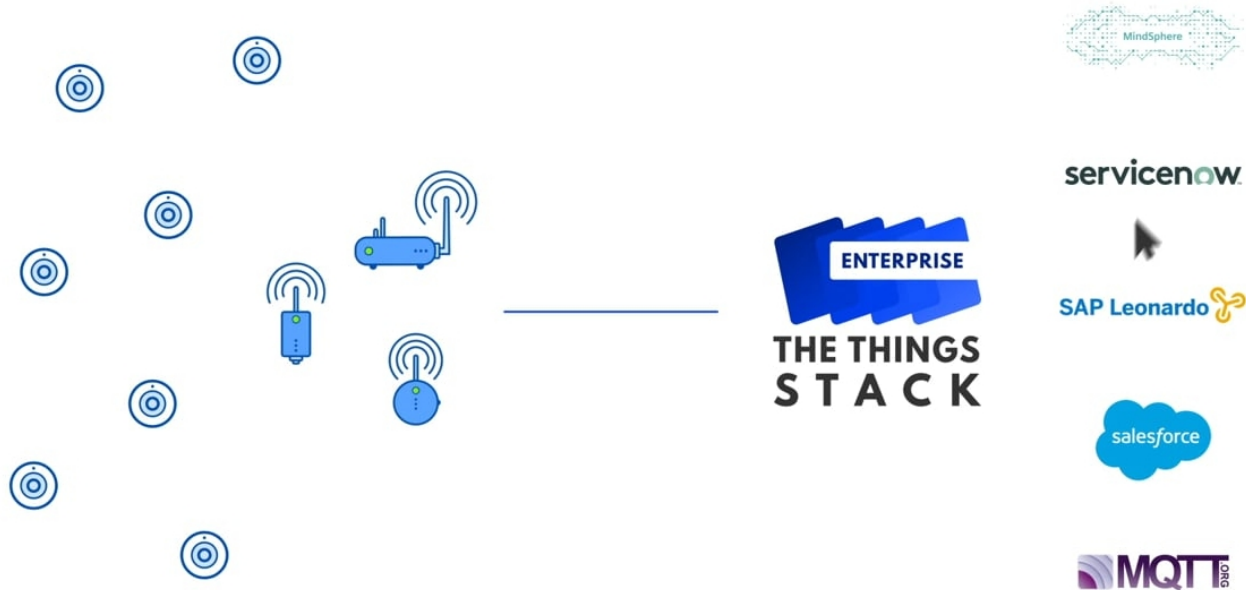


Figure 5. Network design with TTN [18]

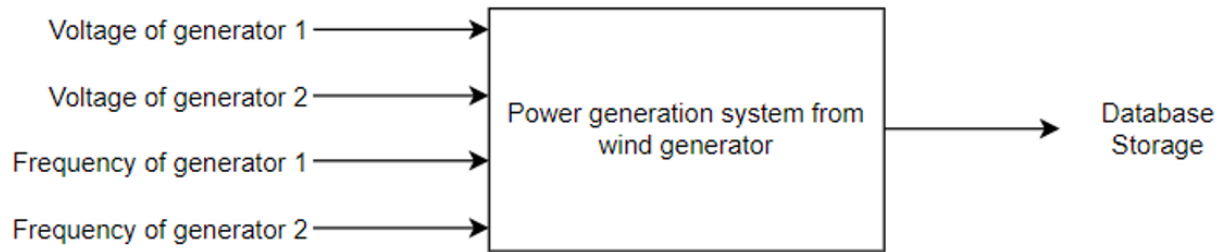


Figure 6. Data acquisition system for wind generators

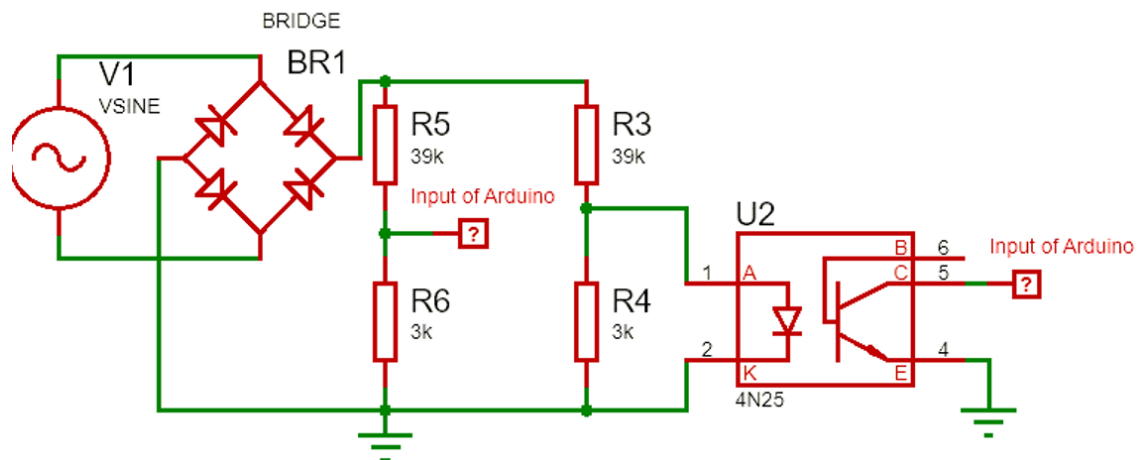


Figure 7. Conditioning circuit

Once this stage was completed, we proceeded with information processing in the embedded system, identifying how an algorithm that allows precision without sacrificing speed can be implemented to later send the information to the RAK811 module, so the latter can transmit the data wirelessly to the Gateway (Fig. 8).

Afterwards, the RAK811 module communicates with the embedded system. Unfortunately, the board can only be connected by cables and not by placing the socket, since this causes short circuit errors. Therefore, it is necessary to remove some resistors from the board, which is why we decided to use cables in order to enable communication between the microcontroller and the module [19].

Subsequently, the TTN platform was implemented (version 2) to establish the application parameters set for the initial configuration of the node, namely the device EUI, the application EUI, and the app key. With this configuration, the information is encrypted and can only be processed by the ends of the communication node and its application in the cloud (Fig. 9a).

Finally, integration with The ThingSpeak, an open-source database (Fig. 9b), was performed. The ThingSpeak is a free database that allows storing up to 3 million samples and is ideal for applications focused on IoT. However, the database only allows receiving data every 20 seconds, which limits the continuous analysis of data, although it is recommended for applications involving long periods of time, as it can store up to six months of data for the four variables for later analysis.

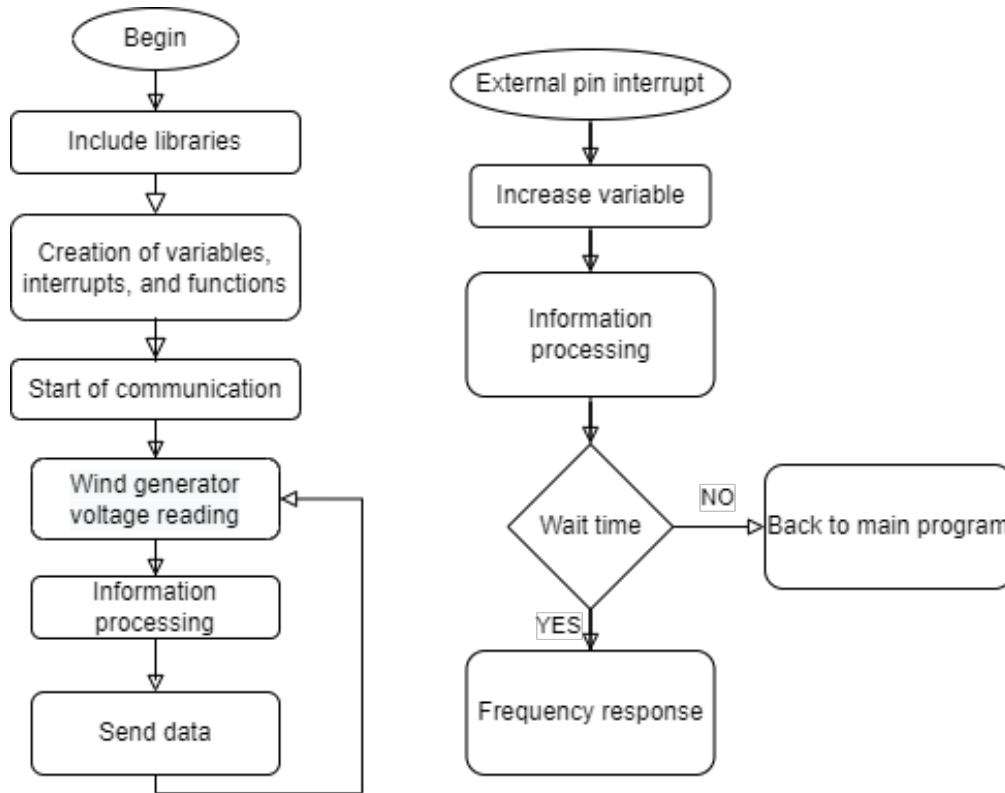


Figure 8. Pseudocode of the embedded system algorithm

DEVICE OVERVIEW

Application ID `prueba_1jaqa`

Device ID `rak_prueba_lora_node`

Activation Method `OTAA`

Device EUI `00 66 FB B7 C5 90 3D D3`

Application EUI `70 B3 D5 7E D0 03 D7 6E`

App Key `.....`

a)

INTEGRATION OVERVIEW

Process ID `rak_prueba_lora_node`

Status `Running`

Platform `ThingSpeak (v2.7.14)`

Author `MathWorks®`

Description `Forwards data to specified ThingSpeak channel.`

SETTINGS

Authorization

Channel write API key `3IY08WR514MOBCK2`

Channel ID

Target ThingSpeak Channel ID `1338216`

b)

Figure 9. a) Device parameters for application; b) integration of TTN with The ThingSpeak

3. Tests

Since the project was developed during the COVID-19 pandemic, indoor tests were performed, acquiring data from the power grid in Colombia, with the following standard values: a voltage of 110-120 V RMS (Fig. 10a) and a frequency of 60 Hz (Fig. 10b). The following graphs show the behavior of the power grid, considering the variations stemming from uncertainty in data collection. These data were conditioned and captured by the embedded system to be subsequently sent to the server of The Things Network.

As it can be observed, the system shows small variations in the main voltage because it must



Figure 10. left) RMS voltage vs. time; right) frequency vs. time

average several voltage samples on the embedded system pin, in addition to the requirements. The system must perform the reading of two wind turbines, which has a higher computational cost, thus affecting the information transmission speed.

On the other hand, the integration of ThingSpeak does not store all the data sent by the embedded system, which affects the quality of the signal. This is due to the fact that the communication link with the TTN server loses frames due to writing limitations, in addition to losing information from the TTN server to the ThingSpeak integration, which also has limitations.

Finally, tests were performed with a simulation software (HTZ Communications), which allows finding the coverage area for wireless links such as IoT. By running this simulation, it was found that the area where the application was deployed can be considered as a small town surrounded by wooded areas (green), avenues (orange), and suburban areas (blue). This can affect the range of the link through attenuations contemplated by the software (Fig. 11).

This simulation was performed through calculations regarding free space losses and interference in the deployment area using the Okumura-Hata propagation method (Fig. 12). It was observed that the maximum distance between a remote node and the Gateway is 3,47 km, whereas the minimum is 2,44 km with -120 dBm. This is due to the losses that exist due to small, wooded areas, adjacent buildings, and surrounding crops, which reduce five-fold the coverage area specified by the manufacturer. Additionally, the models are an approximation to reality; they are subject to small variations that must be taken into account by variables not considered in the implemented method. However, these do not affect the estimation of the coverage area.

4. Discussion

The data acquisition and monitoring system implemented in bio-inspired wind generators allows storing information and displaying it simultaneously. This allows for remote monitoring of the system, a tool that is essential for applications in non-interconnected rural areas (ZNI). However, by observing the system in operation, it was found that the implemented tools and materials have li-

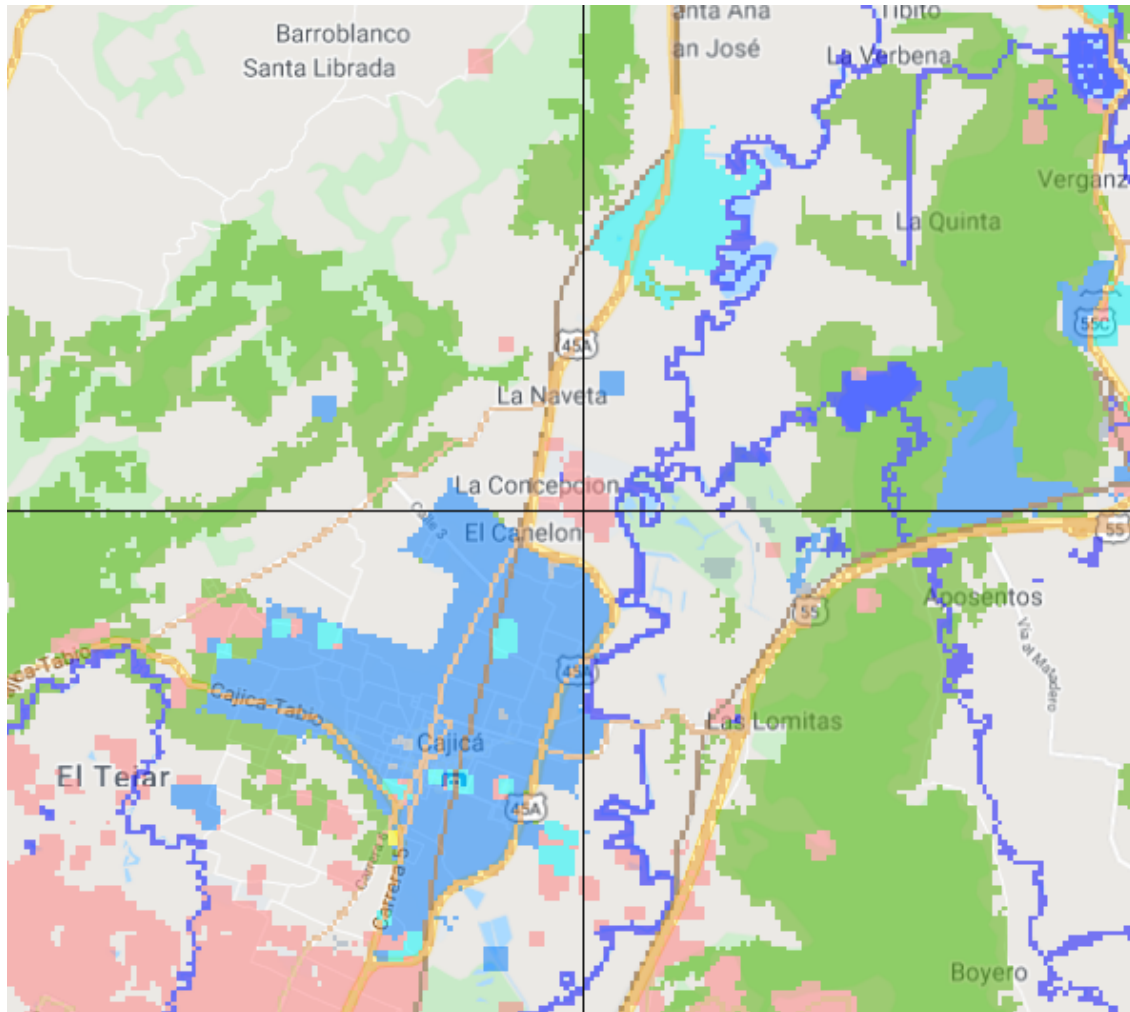


Figure 11. Installation point of the energy production monitoring system in a prototype of wind generators

mitations that may impair the sampling of variables. Among them is the type of embedded system used, given that it must perform the reading of the variables, information processing, and coding of the frames sent to the node. Therefore, the frame time is proportional to the computational cost of performing each task, thus reducing the transmission speed between the node and the Gateway.

In addition, The Things Network service has limitations regarding the number of frames it can receive from the node, since the integrated system generates frames every 200 ms, and TTN can only process frames every 3 seconds, so it receives 1 frame for every 15 frames, which is equivalent to approximately 7 % of the information. However, a low spread factor (SF7), a 4/5 code rate, and a 125 kHz bandwidth were used, which was initially configured to avoid delays in the wireless link, but modifying some parameters, such as the SF to 12 and a higher bandwidth (500 kHz), allows the LoRa RAK811 module to decrease the transfer rates, which results in more frames arriving successfully and in a greater coverage.

Finally, it was observed that the frames delivered to TTN are not reflected in the database, since one out of five frames were stored in The ThingSpeak database, which is due to the fact that the

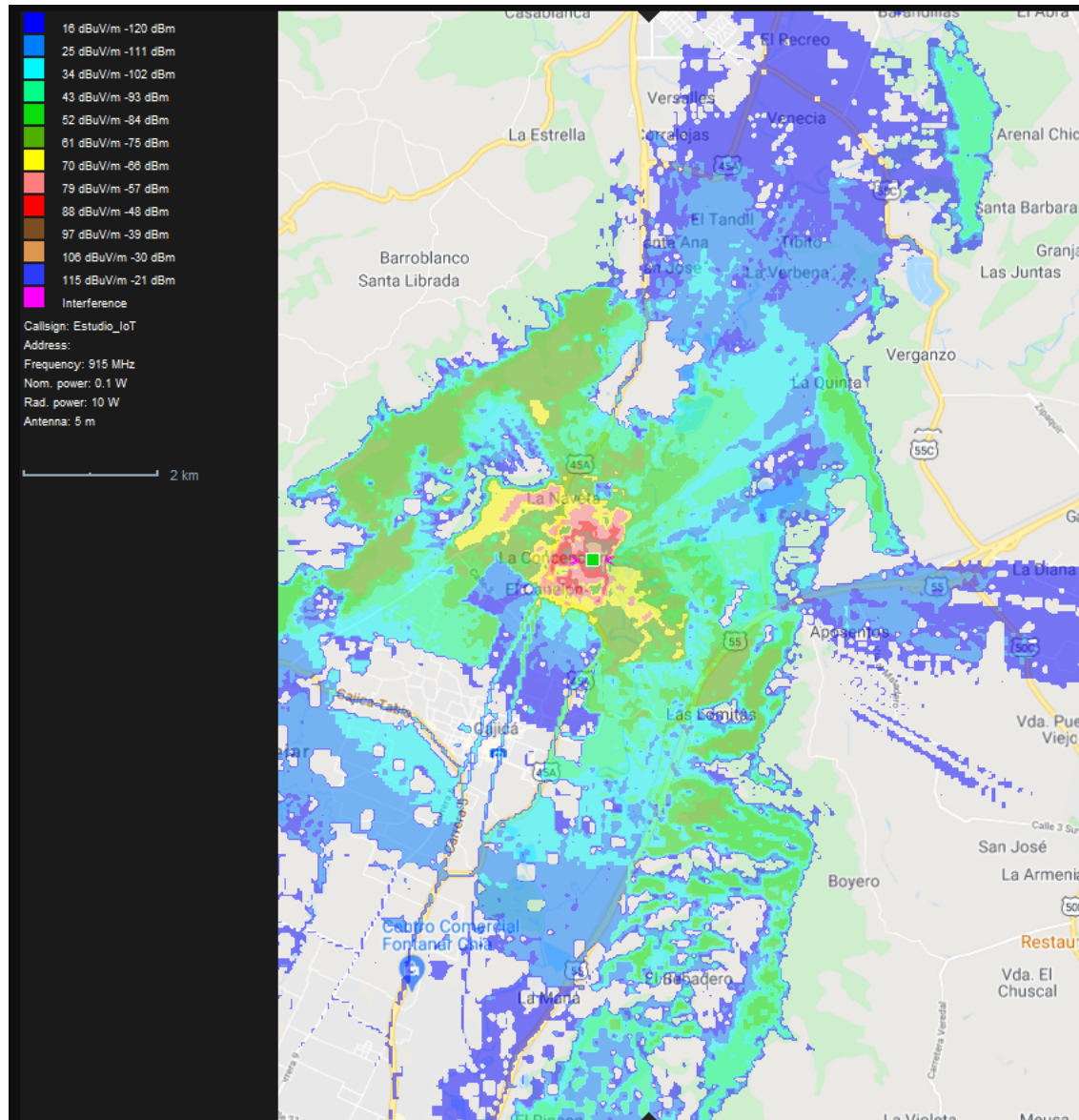


Figure 12. IoT system coverage zone

integration has limitations for storage and allows to store data every 15 seconds. This is detrimental to the monitoring of wind generators; in order to model the behavior of the generators, a system is needed which can store the information faster by means of another type of communication link. However, if one desires monitoring for long periods of time, this system can be recommended.

5. Conclusions

The design of a data acquisition system for wind generators presented above can have applications in urban, suburban, or non-interconnected areas, since monitoring can be performed from anywhere in the world. Unfortunately, the whole system has a dead time of more than 15 seconds per hour, so it is not recommended. However, it can be recommended for decision-making applications or smart grid monitoring.

Likewise, the prototype can implement another type of integration, different from ThingSpeak, where 4 out of 5 frames sent by The Things Network are lost (80 %). However, the application is recommended for collecting information on the behavior of some variables over a long period of time, sacrificing the time between sample and sample, in addition to being free and easy to deploy.

Regarding hardware, a system can be implemented to improve the sampling quality of the variables, such as dedicated modules for ADC functions, together with an embedded system with concurrency in the processes, which improves the time between frames.

References

- [1] ICCA, “Energías renovables,” 2015 [Online]. Available: <http://repiica.iica.int/B3661e/B3661e.pdf> ↑2
- [2] J. Espitia and P. Molina, “Economía colombiana y coyuntura política: La situación del sector eléctrico” [Online]. Available: <https://unipacifico.metabiblioteca.org/cgi-bin/koha/opac-detail.pl?biblionumber=11604> ↑2
- [3] J. A. G. Moreno, C. L. T. Rodríguez, and R. A. P. Suesca, “Hybrid electric energy generation like alternative for not inte connected zones,” *Ing.*, vol. 12, no. 1, pp. 57-63, 2006. <https://doi.org/10.14483/23448393.2100> ↑2
- [4] L. A. Arias Barragán, E. Rivas Trujillo, and F. Santamaría, “Agente integrador de recursos energéticos distribuidos como oferente de energía en el nivel de distribución TT,” *Ing.*, vol. 22, no. 3, pp. 306-323, 2017. <https://doi.org/10.14483/23448393.10986> ↑2
- [5] C. Bordons, F. García-Torres, and L. Valverde, “Gestión óptima de la energía en microrredes con generación renovable,” *Rev. Iberoam. Autom. Infor. Ind.*, vol. 12, pp. 117-132, 2015. <https://doi.org/10.1016/j.riai.2015.03.001> ↑2
- [6] S. Madakam, R. Ramaswamy, and S. Tripathi, “Internet of Things (IoT): a literature review,” *J. Comput. Commun.*, vol. 3, no. 5, pp. 164-173, 2015. <https://doi.org/10.4236/jcc.2015.35021> ↑2
- [7] J. M. G. Álvarez and J. C. G. Targarona, “Generación eólica empleando distintos tipos de generadores considerando su impacto en el sistema de potencia,” *DYNA*, vol. 78, no. 169, pp. 95-104, 2011. <https://revistas.unal.edu.co/index.php/dyna/article/view/20070> ↑3
- [8] J. M. Aranda, “Diseño y evaluación del desempeño de una red de comunicaciones para medición inteligente en Network Simulator–2,” *Ing.*, vol. 20, no. 1, pp. 2–12, 2015. <https://doi.org/10.14483/udistrital.jour.reving.2015.1.a02> ↑3
- [9] R. Bikmetov, M. Y. A. Raja, and T. U. Sane, “Infrastructure and applications of Internet of Things in smart grids: A survey,” presented at *2017 N. Am. Power Symp. (NAPS)*, Morgantown, WV, USA, Sept. 17-19, 2017. <https://doi.org/10.1109/NAPS.2017.8107283> ↑3
- [10] A. F. Arciniegas M., D. E. Imbajoa R., and J. Revelo F., “Diseño e implementación de un Sistema de Medición Inteligente para AMI de la microrred de la Universidad de Nariño,” *Enfoque UTE*, vol. 8, no. 1, pp. 300-314, Feb. 2017. <https://doi.org/10.29019/enfoqueute.v8n1.136> ↑3
- [11] K. Mekki, E. Bajic, F. Chaxel, and F. Meyer, “A comparative study of LPWAN technologies for large- scale IoT deployment,” *ICT Express*, vol. 5, no. 1, pp. 1-7, 2019. <https://doi.org/10.1016/j.icte.2017.12.005> ↑4
- [12] A. Manrique, L. Buitrago, and J. Hernández, “Redes LoRaWAN. Revision de componentes funcionales en aplicaciones IoT,” Research Paper, Fac. Tec., Univ. Dist. Francisco José de Caldas, Bogotá, Col., 2019. <http://hdl.handle.net/11349/22411> ↑4
- [13] U. Noreen, A. Bounceur, and L. Clavier, “A study of LoRa low power and wide area network technology,” presented at *2017 Int. Conf. Adv. Tech. Sig. Image Proc. (ATSIP)*, Fez, Morocco, May 22-24, 2017. <https://doi.org/10.1109/ATSIP.2017.8075570> ↑4, 5
- [14] W. A. Porras-Calderón and O. Y. Salah-García, “Implementación de una Red LPWAN de Sensores para el Monitoreo de Condiciones Ambientales,” *Met&Flu*, 2019, [Online]. Available: https://www.cdtdegas.com/images/Descargas/Nuestra_revista/MetFlu14/9_RedLPWAN.pdf ↑4

- [15] LoRa® Alliance Technical Marketing Workgroup, “A technical overview of LoRa® and LoRaWANTM What is it?,” 2015 [Online]. Available: https://loro-alliance.org/resource_hub/what-is-lorawan/ ↑4, 5
- [16] RAKwireless Technology, “Documentation center RAK7258 WisGate Edge Lite datasheet overview description”, <https://docs.rakwireless.com/Product-Categories/WisGate/RAK7258/Supported-LoRa-Network-Servers/#aws-iot-core-for-lorawan> (accessed Jan, 2022). ↑6
- [17] RAKwireless Technology, “RAK811 Evaluation Board Quick Start Guide”, <https://docs.rakwireless.com/Product-Categories/WisDuino/RAK811-Evaluation-Board/Quickstart/> (accessed Jan, 2022). ↑6
- [18] Hackster.io, “Using LoRaWAN end devices on The Things Network.” <https://www.hackster.io/nootropicdesign/using-lorawan-end-devices-on-the-things-network-206a86> (accessed May 11, 2021). ↑7
- [19] J. C. Merino, “Deployment and evaluation of an on-site LoRaWAN network based on The Things Stack version 3,” Esc. Téc. Sup. Ing. Ind. Telecom., U. Cantabria, Cantabria, Spain, Oct. 2019. <https://repositorio.unican.es/xmlui/bitstream/handle/10902/17087/420136.pdf?sequence=1&isAllowed=y> ↑7, 8

Jersson A. Quintero

Electronic engineer from Universidad Distrital Francisco José de Caldas, Bogotá, Colombia; researcher in the areas of telecommunications, IoT, and automation in environmental processes. He is currently studying Agronomy Engineering at Universidad Nacional de Colombia and works at Universidad Distrital Francisco José de Caldas in the areas of Networking and IT.

Email: jeaquintero@correo.udistrital.edu.co

Hector Parra

Electronic engineer from Universidad Distrital Francisco José de Caldas, Bogotá, Colombia; researcher in areas such as telecommunications, telematics, digital signal processing (DSP), and control; Naval Reserve Officer of the National Navy of Colombia; Master in Mechatronics Engineering from Universidad Militar Nueva Granada; and currently studying a PhD in Electrical and Electronic Engineering Universidad Distrital Francisco José de Caldas. Colciencias Bicentennial 2019 Doctoral Excellence Fellow. Engineering professor at Universidad Militar Nueva Granada since 2018.

Email: hector.parra@unimilitar.edu.co

Elvis E. Gaona-García

BSc in Electronic Engineering. He received MSc degrees in Information Science and Communications at Universidad Distrital Francisco José de Caldas, Bogotá, Colombia, in 2001 and 2007, respectively, as well as a PhD degree in Engineering in 2017. He has been a professor at the Department of Engineering of Universidad Distrital Francisco José de Caldas since 2002. He is currently the Director of the Doctoral program in Engineering at Universidad Distrital Francisco José de Caldas, Bogotá, Colombia. He has authored and coauthored more than 100 refereed journal and conference papers, five research books, two book chapters, and three edited books with Elsevier and Springer. His research interests include the applications of artificial intelligence, microgrids, telecommunication systems and image analysis.

E-mail: egaona@udistrital.edu.co